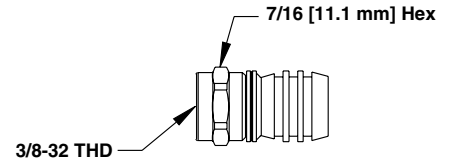


USA “F” Connector

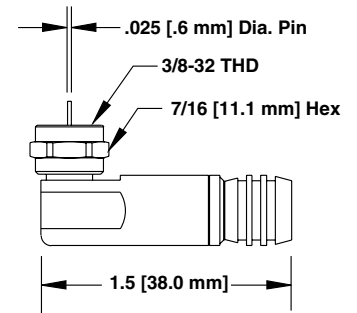
USA “F” Male

Part Number	Cable Type	Crimp Size
GF-59-AHS/USA	60% - Quad	.360 Hex
GF-6-AHS/USA	60% - Quad	.360 Hex



USA Right Angle “F” Male

Part Number	Cable Type	Crimp Size
GF-59-RA-AHS/USA	60% - Quad	.360 Hex
GF-6-RA-AHS/USA	60% - Quad	.360 Hex



Recommended Tools

Connector Type	Prep. Tool	Crimp Tool (HEX Cavity)
Series 59	G-CPT-6590	G-CRT-USA (.360)
Series 6	G-CPT-6590	G-CRT-USA (.360)

See page 65 for additional tool information



CABLE PREP
G-CRT-USA

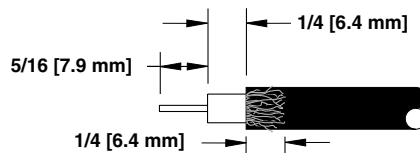


Figure (1)

Cable Preparation

(1) Series 59 and 6 cables